

AL.1911G LED PROFILE

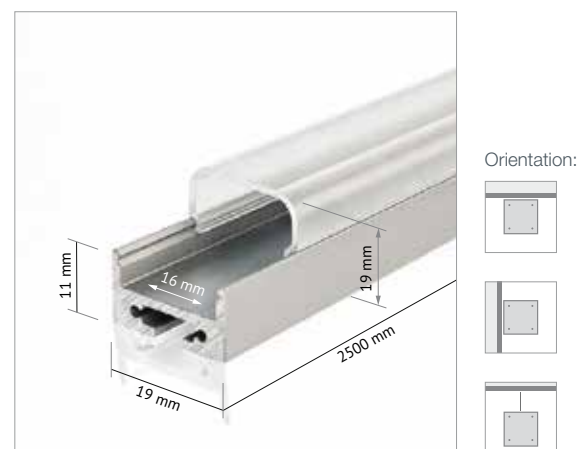
The AL.1911 extruded profile is compatible with a series of six different end caps and diffusers/lenses to create uniquely different suspended or surface mounted linear lighting.

The shaped diffuser and end caps used to create AL.1911G result in a square shaped profile with the external dimensions 19x19mm. A range of colour temperature LED strips is available or the profile can be used with a preferred LED option. Asta Linear profiles can be purchased in linear lengths or supplied in fully constructed units with LEDs installed. AL.1911 profiles can be used individually or used with a joining section to create continuous lines of light.



Key Features

- 19x11mm Asta Linear profile
- Maximum profile length 2500mm
- Aluminium profile and end caps
- Milky diffuser



Accessories

