



AL.1911T LED PROFILE

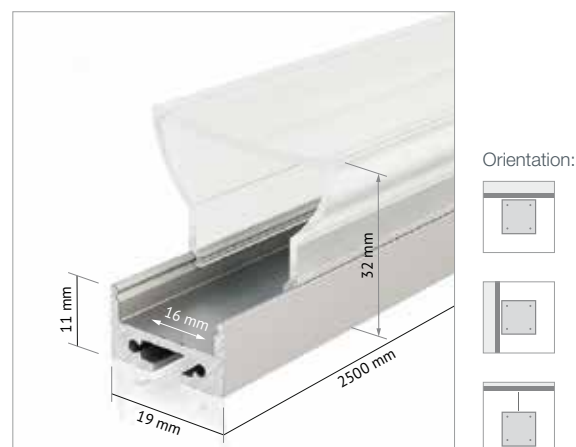
The AL.1911 extruded profile is compatible with a series of six different end caps and diffusers/lenses to create uniquely different suspended or surface mounted linear lighting.

The T-shaped diffuser and end caps used to create AL.1911T result in a stylish unit which emits light from three sides of the lens. A range of colour temperature LED strips is available or the profile can be used with a preferred LED option. Asta Linear profiles can be purchased in linear lengths or supplied in fully constructed units with LEDs installed. AL.1911 profiles can be used individually or used with a joining section to create continuous lines of light.



Key Features

- 19x11mm Asta Linear profile
- Maximum profile length 2500mm
- Aluminium profile and end caps
- T-shaped frosted diffuser



Accessories

