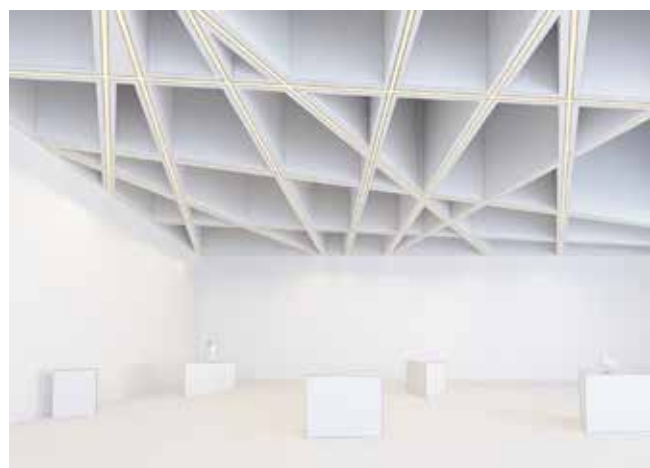


AL.6332 LED PROFILE

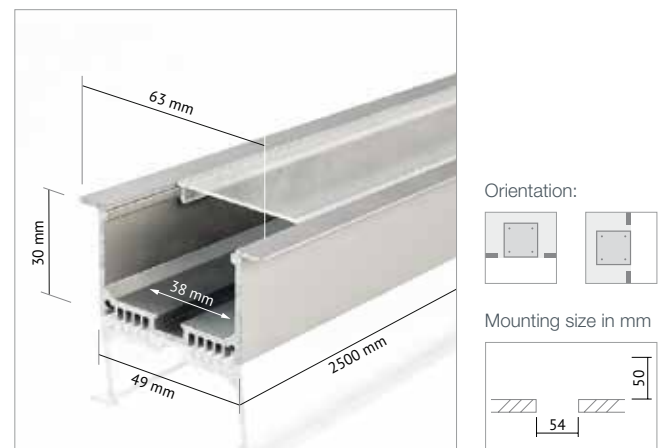
With a 38mm wide area in which to position an LED strip, AL.6332 accommodates strips with multiple rows of LEDs for increased brightness. Installed within a 50mm deep recess using mounting clips, the profile is used to create individual or continuous lines of light.

The frosted diffuser is high impact resistant, UV resistant and delivers over 80% light transmission. A range of colour temperature LED strips is available or the profile can be used with a preferred LED option. Asta Linear profiles can be purchased in linear lengths or supplied in fully constructed units with LEDs installed.



Key Features

- 63x32mm Asta Linear profile
- Maximum profile length 2500mm
- Aluminium profile and end caps
- Frosted diffuser
- Recess required: depth 50mm, width 54mm



Accessories

